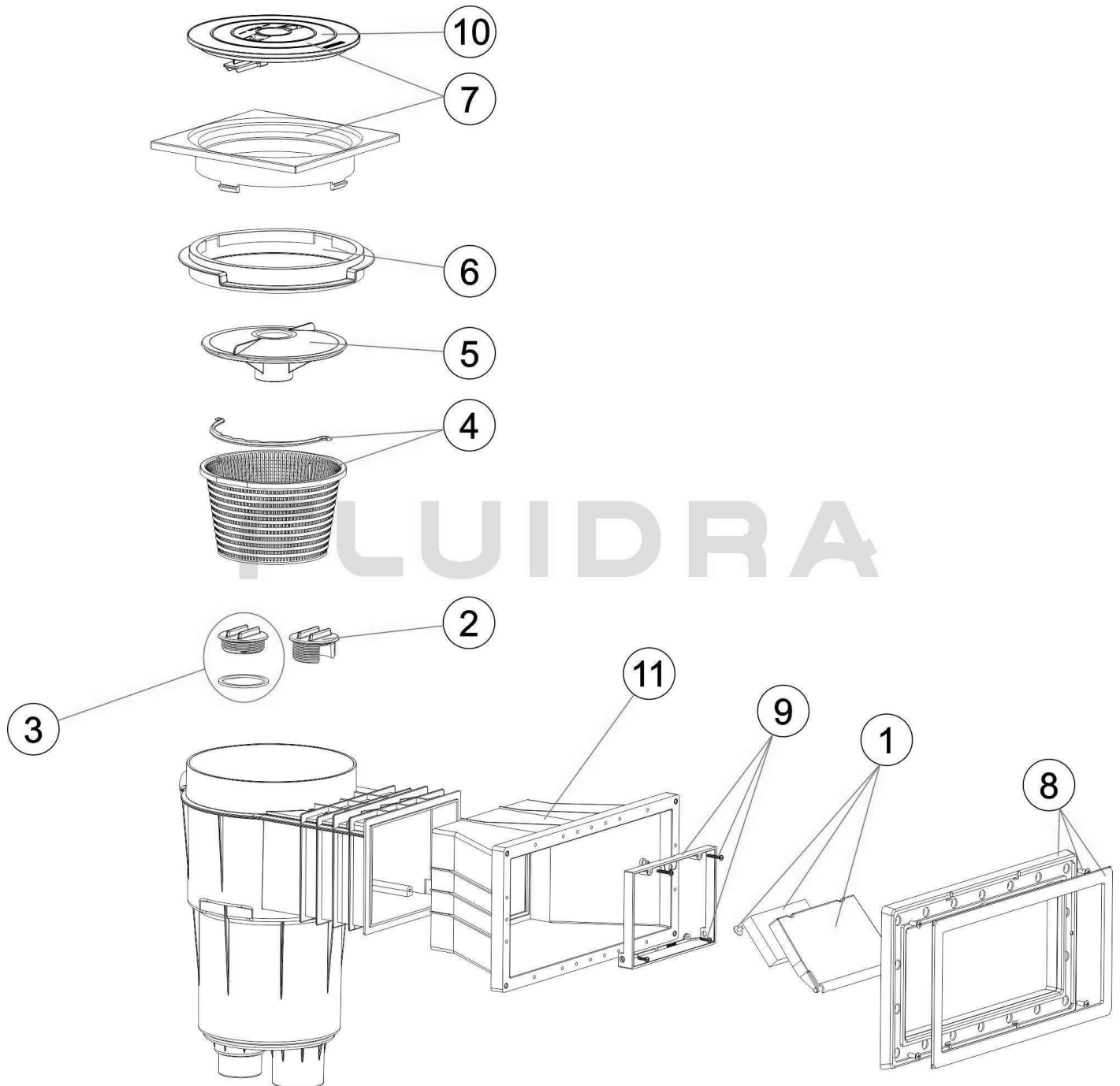



FLUIDRA

Code: 11304 | Description: SKIMMER 17.5L WIDE MOUTH SQUARE COVER

Revision no.: | : 26/04/2018



 Breakdown of parts (kits or units)

POS.	CODE	DESCRIPTION
1	4402010501	i SKIMMER FLAP
2	4402010502	i REGULATING PLUG
3	4402010503	i BLANKING PLUG AND 'O' RING
4	4402010504	i BASKET 17,5 LITRES
5	4402010505	i VACUUM PLATE
6	4402010506	i COLLAR EXTENSION RING
7	4402010510	i SQUARE RIM AND LID
8	4402010207	i CONCRETE SKIMMER FRAME
9	4402010508	i FLAP FRAME
10	4402010509	i SKIMMER LID
11	00251R0200	i EXTENSION THROAT