



www.astralpool.com



The new generation
of filtration pumps

Victoria Plus Silent

- ▶ Easy to use.
- ▶ Silent. Sound level below 70 dBa.
- ▶ A longer service life.
- ▶ Compatible with the Victoria Plus pump.

VICTORIA**PLUS**
SILENT

VICTORIA PLUS SILENT

The new generation
of filtration pumps

Victoria Plus Silent. The new generation of filtration pumps

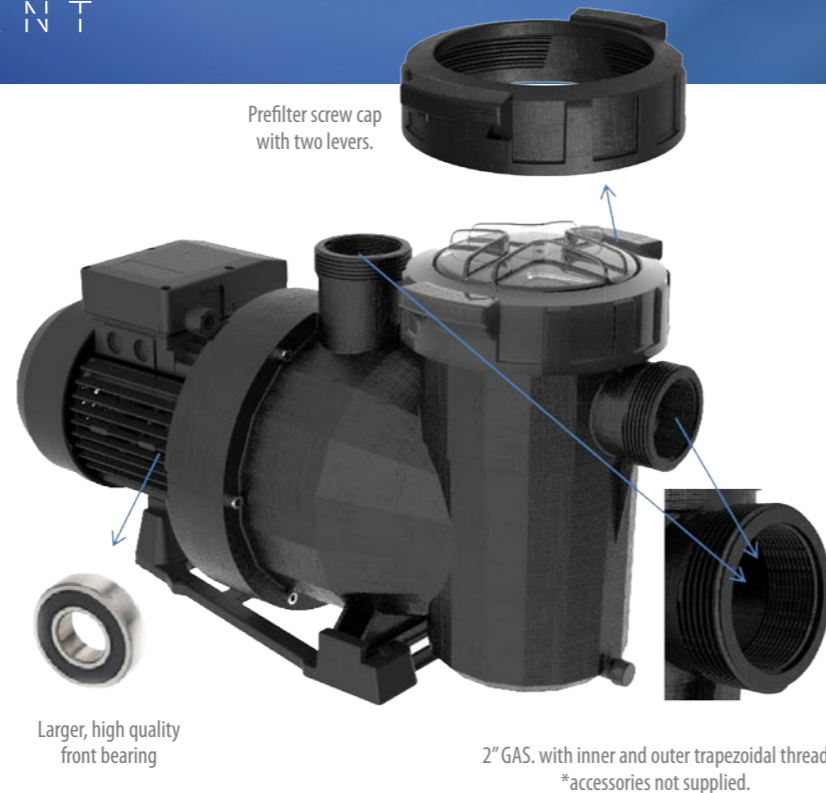
The filtration pump is the most important component for the good performance of any pool. It is core to the way a pool works as it performs several functions, all of which are essential for running and maintaining it.

There is a great variety of pool pumps in the market in terms of quality and performance, but not all pumps are the same. Power is not the only feature that makes a difference to a pump. Its quality depends on the materials it is made of, as this will determine its service life and sound level, on the hydraulic structure and, last but not least, on how easy the prefilter is to use and its size.

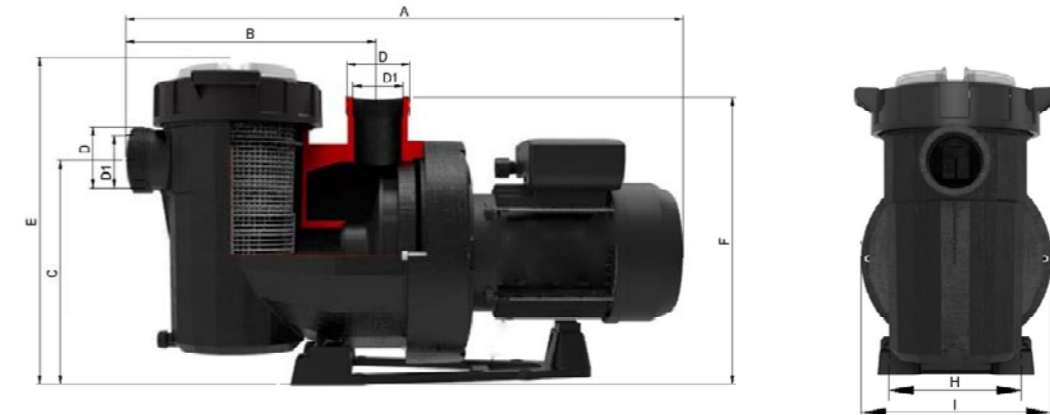
AstralPool, the world's leading pool brand, is launching what is probably the best filtration pump in the market: Victoria Plus Silent.

Advantages of Victoria Plus Silent

- **A longer service life** thanks to its state-of-the-art thermoplastic materials and motors with IP-55 protection rating that have been prepared to withstand hot environments and high levels of humidity.
- **Easy to use and maintain** as it has a built-in prefilter with two levers and better protection to prevent foreign bodies from getting in that could damage the pump's hydraulic parts.
- **For all pools** as it comes in a wide range of single-phase and three-phase motors from 1/2 to 3 cv. Victoria Plus Silent is self-priming.

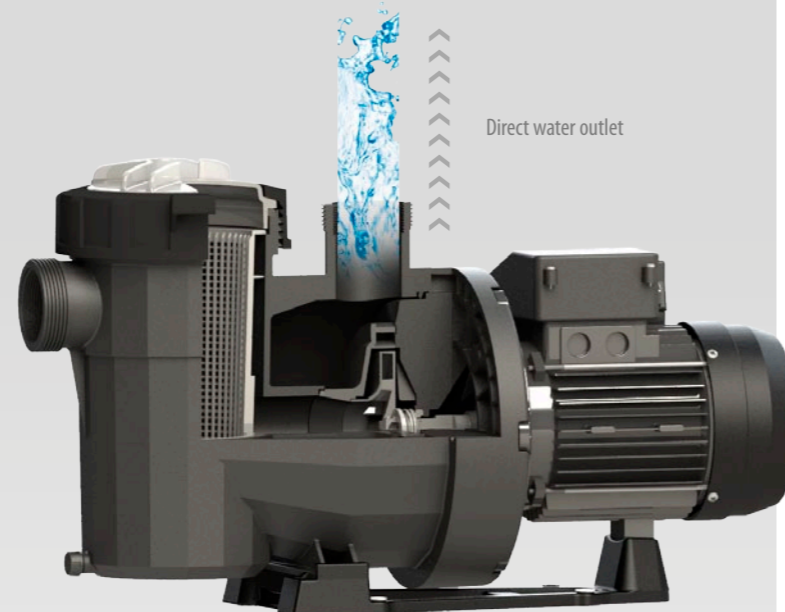


Technical information:



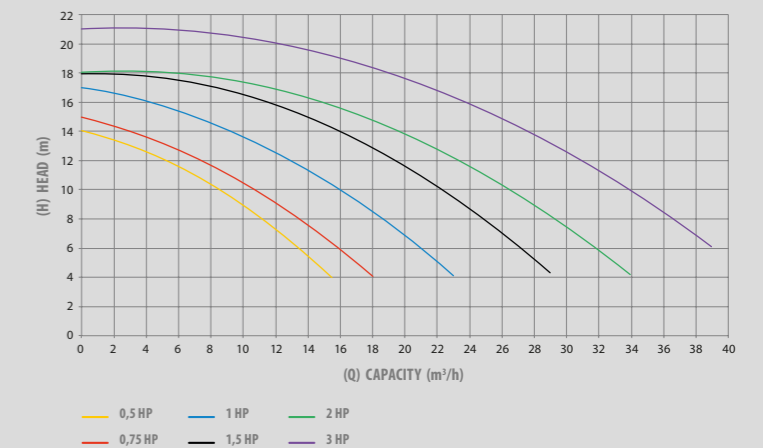
SILENT

Sound level below 70 dBa.



Code	Dimensions								
	A	B	C	D	D1	E	F	H	I
65557	581	281	246	External Thread on the Victoria Plus Silent	2" GAS	359	322	164	254
65558	581	281	246		2" GAS	359	322	164	254
65560	581	281	246		2" GAS	359	322	164	254
65561	581	281	246		2" GAS	359	322	164	254
65562	581	281	246		2" GAS	359	322	164	254
65563	581	281	246		2" GAS	359	322	164	254
65564	615	281	246		2" GAS	359	356	164	254
65565	615	281	246		2" GAS	359	356	164	254
65566	615	281	246		2" GAS	359	356	164	254
65567	615	281	246		2" GAS	359	356	164	254
65569	646	281	246	2" GAS	359	387	164	254	
65570	615	281	246	2" GAS	359	356	164	254	

PERFORMANCE CURVES H-Q



Code	Power CV/HP	Voltage V	Max. H m	RPM	Nom. Q m³/h	Nom. H m	Weight kg	Volume m³
65557	1/2 CV II	230V	14	2810	11	8	12	0.07
65558	1/2 CV III	230/400V	14	2825	11	8		
65560	3/4 CV II	230V	15	2802	11	10	13	
65561	3/4 CV III	230/400V	15	2810	11	10		
65562	1 CV II	230V	17	2810	16	10	14	
65563	1 CV III	230/400V	17	2810	16	10		
65564	1.5 CV II	230V	18	2800	22,5	10		
65565	1.5 CV III	230/400V	18	2810	22,5	10		
65566	2 CV II	230V	18	2860	26,5	10	17	
65567	2 CV III	230/400V	18	2800	26,5	10		
65569	3 CV II	230V	21	2827	34	10	18	
65570	3 CV III	230/400V	21	2780	34	10		