

# BX POOL & SPA PUMP



The demands on pool equipment in modern pools like large in-ground pools, swim spas, swim jets, larger pool filters, salt-chlorinators and in floor cleaning system place an enormous load on the pump.



## RELIABLE STRENGTH

The BX Series pump has been designed with great power and control to comfortably meet these demands by delivering a much higher head pressure and a superior overall performance. With reliable external body and high quality components this pump has the highest standards of reliability and durability.



## SAME POWER, LESS ENERGY

While meeting the demands of your equipment the BX also moves more water, using less power in fewer hours per day. This means lower electricity costs. With a huge hair and lint pot the BX requires less frequent cleaning, making it ideal for holiday home and high leaf areas.



## SUPERB SILENCE

In high density residential area, noise is an issue so the BX pump has been designed to run cooler with less fan noise which means reduced noise level.

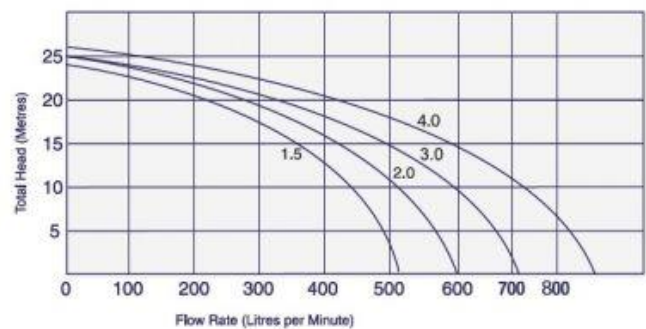
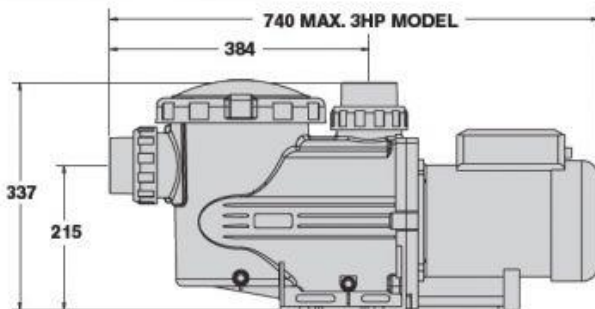


## WARRANTY

Available in 4 different sizes and covered by a limited 3 year warranty against defects in materials and workmanship the BX-Series pool and spa pump is the perfect choice for your pool.

To find out more about the BX-Series pump visit [astralpool.com.au](http://astralpool.com.au)

## TECHNICAL INFORMATION



Model	Volts	Phase	Input Watts	Full Load Amps	Flow Rate Max @ 8 m/h	Conns "mm"
BX 1.5 HP Pool & Spa Pump	240	Single	1645	7.2	440 lpm	65/50
BX 2.0 HP Pool & Spa Pump	240	Single	2030	8.8	540 lpm	65/50
BX 3.0 HP Pool & Spa Pump	240	Single	2300	12.5	640 lpm	65/50
BX 2.0 HP Pool & Spa Pump 3 Phase	415	Three	2195	3.4	540 lpm	65/50
BX 3.0 HP Pool & Spa Pump 3 Phase	415	Three	2650	4.1	640 lpm	65/50
BX 4.0 HP Pool & Spa Pump 3 Phase	415	Three	2985	4.7	750 lpm	80



sales@astralpool.com.au  
[www.astralpool.com.au](http://www.astralpool.com.au)  
[facebook.com/astralpoolAU](https://www.facebook.com/astralpoolAU)

# BX High Performance Pump



ปั๊มรุ่นBX เหมาะกับทั้งสระบ้านและสระขนาดใหญ่ สามารถทำงานขณะไม่มีน้ำได้ถึง 24 ชม.

The AstralPool BX pump had been designed to comfortably meet the demands of all your pool equipment while setting new standards of efficiency, convenience and greatly reducing noise levels. With the ability to move more water, use less power in fewer hours per day while requiring less maintenance the BX pump has to be your next choice.

CODE	ITEM	SPECIFICATION						CONNECTION
		POWER			ELECTRICITY		FLOWRATE @ 8m	
		HP	kW Input	kW Output	Volt	Current (A)	m <sup>3</sup> /hr	
43918	BX Pump 1.5 HP ปั๊ม BX รุ่น 1.5 แรงม้า	1.5	1.65	1.12	230	7.2	26.4	2 - 2.5
43919	BX Pump 2 HP ปั๊ม BX รุ่น 2 แรงม้า	2	2.03	1.49	230	8.8	32.4	2 - 2.5
43920	BX Pump 3 HP (1 Phase) ปั๊ม BX รุ่น 3 แรงม้า (1 เฟส)	3	2.30	2.24	230	12.5	38.1	2 - 2.5
43924	BX Pump 3 HP (3 Phase) ปั๊ม BX รุ่น 3 แรงม้า (3 เฟส)	3	2.65	2.24	230/ 400	4.1	38.4	2 - 2.5