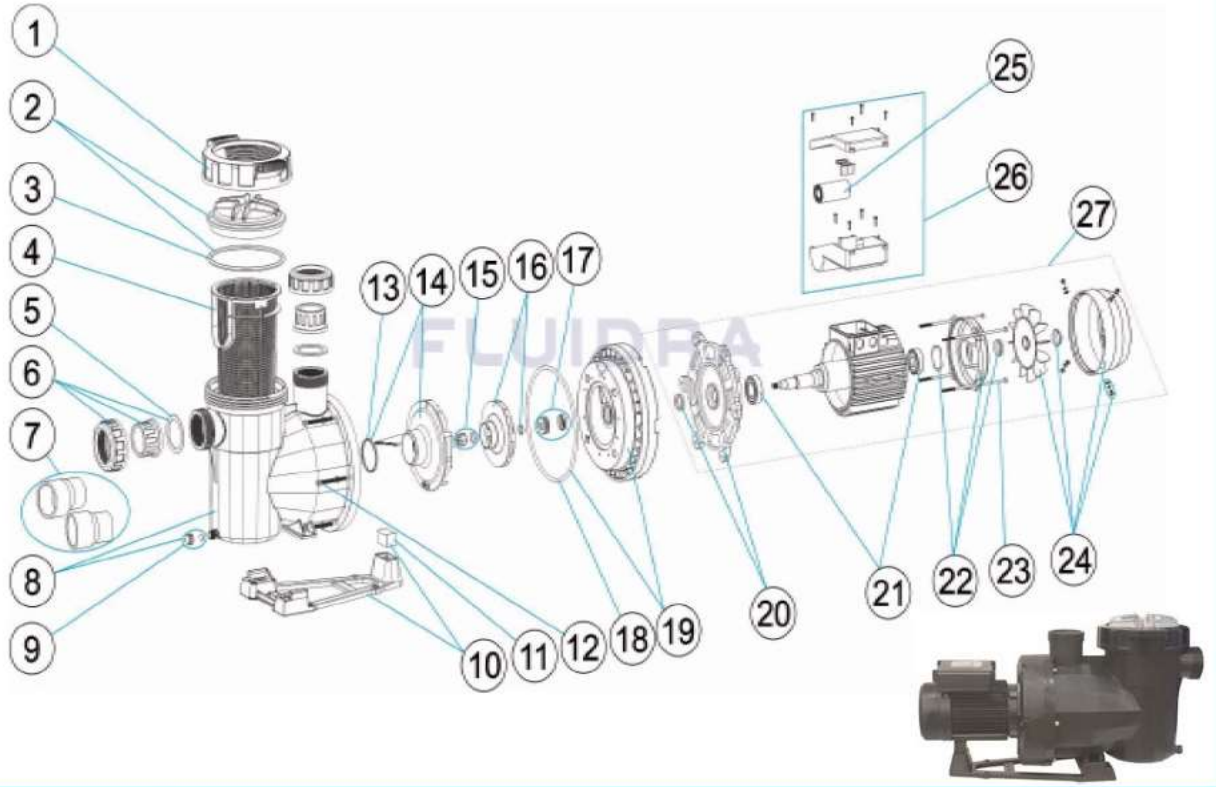


CODE 65557, 65558, 65560, 65561, 65562, 65563, 65564, 65565, 65566, 65567,
65569, 65570

DESCRIPTION VICTORIA PLUS SILENT PUMP

Effective on 1 March 2020



No.	Code.	Description	Pack	QTY/Pack
1	4405010585	PRE-FILTER COVER NUT	1	1
2	4405010702	PRE-FILTER COVER	1	1
3	4405010178	O' RING D 151,7X6,99	1	1
4	4405010105	PRE-FILTER BASKET	1	1
5	4405010179	INLET GASKET 72X55X2,5	1	2
6	4405010106	UNION FITTINGS <= 1 HP	1	1
6	4405010107	UNION FITTINGS 1,5 HP - 2,5 HP	1	1
7	4405010717	UNION FITTINGS 3 HP	1	1
8	4405010586	PUMP HOUSING	1	1
9	4405010587	DRAIN PLUG	1	1
10	4405010588	PUMP BASE	1	1
10	4405010492	PUMP BASE	1	1
10	4405010589	PUMP BASE	1	1
11	4405010180	PUMP BASE FITTINGS 3 HP II	1	1
11	4405010112	PUMP BASE FITTINGS 0,75 - 1,5 HP	1	1
11	4405010113	PUMP BASE FITTINGS 1,5 HP - 3 HP	1	1
12	4405010590	BODY FIXING SCREW	1	1
13	4405010161	O' RING D. 56,7X3,5	1	2
14	4405010115	DIFFUSEUR <=0,75 HP	1	1
14	4405010116	DIFFUSOR 1 HP - 2 HP	1	1
14	4405010117	DIFFUSOR 2,5 - 3 HP	1	1
15	4405010134	IMPELLER COVER M8 LEFT	1	1
16	4405010591	IMPELLER ½ (II) HP	1	1
16	4405010667	IMPELLER ½ (II) HP 60 HZ	1	1
16	4405010592	IMPELLER ½ (III) HP	1	1
16	4405010668	IMPELLER ½ (III) HP 60 HZ	1	1
16	4405010593	IMPELLER ¾ (II) HP	1	1
16	4405010595	IMPELLER 1 (II) HP	1	1
16	4405010671	IMPELLER 1 (II) HP 60 HZ	1	1
16	4405010596	IMPELLER 1 (III) HP	1	1
16	4405010672	IMPELLER 1 (III) HP 60 HZ	1	1
16	4405010597	IMPELLER 1,5 (II) HP	1	1
16	4405010673	IMPELLER 1,5 (II) HP 60 HZ	1	1
16	4405010598	IMPELLER 1,5 (III) HP	1	1
16	4405010674	IMPELLER 1,5 (III) HP 60 HZ	1	1
16	4405010599	IMPELLER 2 (II) HP	1	1
16	4405010675	IMPELLER 2 (II) HP 60 HZ	1	1
16	4405010600	IMPELLER 2 (III) HP	1	1
16	4405010676	IMPELLER 2 (III) HP 60 HZ	1	1
16	4405010601	IMPELLER 3 (II) HP	1	1
16	4405010677	IMPELLER 3 (II) HP 60 HZ	1	1
16	4405010602	IMPELLER 3 (III) HP	1	1
16	4405010678	IMPELLER 3 (III) HP 60 HZ	1	1
16	4405010669	IMPELLER ¾ (II) HP 60 HZ	1	1
16	4405010594	IMPELLER ¾ (III) HP	1	1
16	4405010670	IMPELLER ¾ (III) HP 60 HZ	1	1
17	4405010118	MECHANICAL SEAL	1	1
18	4405010487	O' RING	1	1
19	4405010603	MECHANICAL SEAL PLATE	1	1
20	4405010604	FRONT MOTOR FLANGE	1	1
20	4405010607	FRONT MOTOR FLANGE	1	1
20	4405010608	FRONT MOTOR FLANGE	1	1
21	4405010609	MOTOR BEARINGS < 1 HP	1	1
21	4405010610	MOTOR BEARINGS 1,5 - 3 HP	1	1
21	4405012039	FRONT & REAR BEARING	1	1
22	4405010612	MEC. MOTOR COVER C.71	1	1
22	4405010614	MEC. MOTOR COVER C.80	1	1
22	4405010615	MEC. MOTOR COVER C.90	1	1
23	4405010144	MOTOR TIES 0,75 - 1 HP	1	1
23	4405010145	MOTOR TIES 1,5 - 3 HP III	1	1
23	4405010169	MOTOR TIES (90) 3 HP II	1	2
24	4405010635	FAN COVER ASSEMBLY	1	1
24	4405010636	FAN COVER ASSEMBLY	1	1
24	4405010637	FAN COVER ASSEMBLY	1	1
25	4405010149	CONDENSER 12 UF 1/2 CV	1	1
25	4405020121	CONDENSER 14 UF 3/4 CV	1	1
25	4405020122	CONDENSER 16 UF 1 CV	1	1
25	4405010150	CONDENSER 18 UF 1,5 CV	1	1
25	4405010174	CONDENSER 32 ?F 2 CV	1	1
25	4405010175	CONDENSER 40 ?F 2,5-3 CV	1	1
26	4405010154	TERMINAL BOX ASSEMBLY C. 63-71 II	1	1
26	4405012048	TERMINAL BOX ASSEMBLY (MOTOR II) C.80	1	1
26	4405010156	TERMINAL BOX COVER C 63-71 III	1	1
26	4405012051	TERMINAL BOX ASSEMBLY (MOTOR III) C.80	1	1
26	4405012047	TERMINAL BOX ASSEMBLY (MOTOR II) C.71	1	1
26	4405012050	TERMINAL BOX ASSEMBLY (MOTOR III) C.71	1	1