

# DISINFECTION SYSTEMS



## “EMAUX” CTRL Series Solenoid Driven Metering Pumps Complete Set With Accessories

### HIGH-TECH MICROCONTROLLER

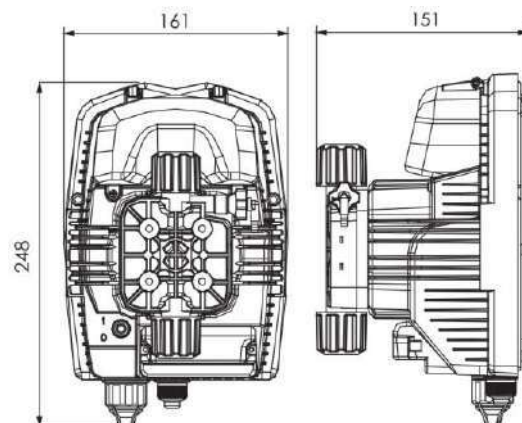
The automatic monitoring system measures the PH value and Redox / ORP value of water through the relative voltage of probes. Total control & dosing through the desired set-point. With a compact structure, nice design, professional recognition, easy to install and operate. Digital metering pump with pH/Redox control meter on board. Adjustable manual control with proportional dosing flow rate, for the right pH & Redox management.

### MAIN FEATURES

- Significant number of metering pumps, 16 work dual-line LCD Screen, full working status display automatic recording and storage.
- Built-in pH / ORP monitor or dosing only
- Automatic pump flow control is determined in accordance with monitor pH / ORP value.
- pH, ORP, flow and other automatic / manual calibration.
- With level gauge input interface, low level alarm.
- Flow meter input, telematics control.
- Password Protection



| Model      | Pressure (bar) | Max Flow/ Hour (l/h) | Stroke capacity (cc/stroke) | Connection Size in/out (mm) | Frequency max (stroke/min) |
|------------|----------------|----------------------|-----------------------------|-----------------------------|----------------------------|
| CTRL4-PH   | 12             | 4                    | 0.42                        | 4 / 6                       | 160                        |
|            | 10             | 5                    | 0.52                        | 4 / 6                       | 160                        |
| CTRL4-ORP  | 8              | 6                    | 0.63                        | 4 / 6                       | 160                        |
|            | 2              | 8                    | 0.83                        | 4 / 6                       | 160                        |
| CTRL7-PH   | 12             | 7                    | 0.36                        | 4 / 6                       | 320                        |
|            | 10             | 10                   | 0.52                        | 4 / 6                       | 320                        |
| CTRL7-ORP  | 5              | 15                   | 0.78                        | 4 / 6                       | 320                        |
|            | 1              | 18                   | 0.99                        | 4 / 6                       | 320                        |
| CTRL20-PH  | 5              | 20                   | 1.11                        | 8 / 12                      | 300                        |
|            | 4              | 25                   | 1.39                        | 8 / 12                      | 300                        |
| CTRL20-ORP | 2              | 38                   | 2.11                        | 8 / 12                      | 300                        |
|            | 0.1            | 54                   | 3                           | 8 / 12                      | 300                        |

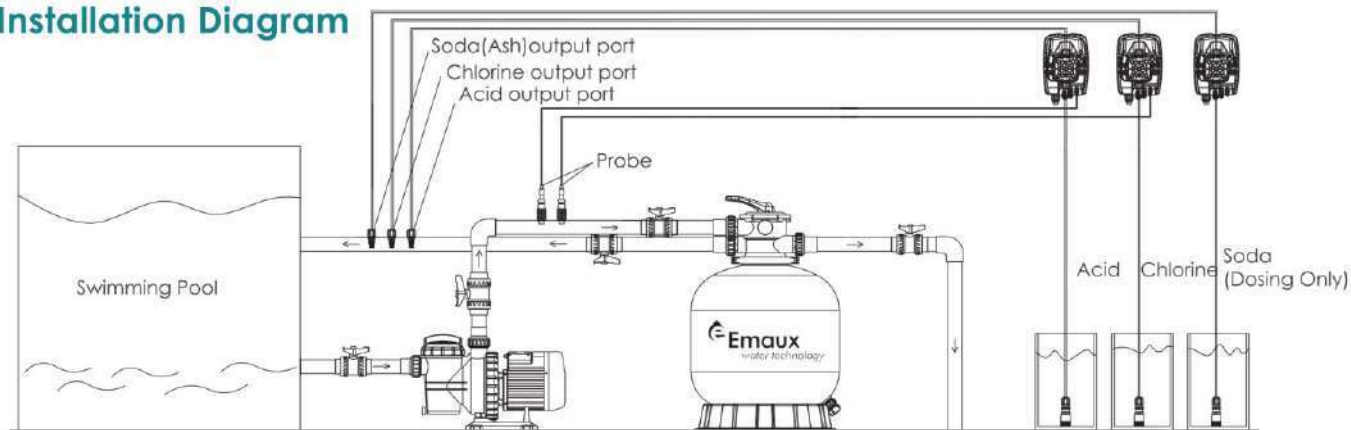




## Probe and Accessories Specifications

| Code     | Product Name                      | Parameter  | Photo |
|----------|-----------------------------------|--|-------|
| 87990300 | pH probe                          | Pressures 7bar<br>Material: epoxy resin<br>Measuring range: 0-14 (With 6m signal line)<br>Electrode diameter: 12mm (Includes probe holder)     |       |
| 87990301 | ORP probe                         | Pressure: 7bar<br>Material: epoxy resin<br>Measuring range: 1200mV (With 6m signal line)<br>Electrode diameter: ± 12mm (Includes probe holder) |       |
| 87990302 | pH probe buffer solution          | 2 bottles of buffer solution of pH (pH4.00 and pH7.00)<br>+1 bottle for buffering  |       |
| 87990303 | ORP probe buffer solution         | 1 bottle of ORP buffer solution (465mV) for 50ml bottle  |       |
| 87990306 | Dosing pipe fittings for CTRL4/ 7 | Pressure: 7bar<br>Material: PVC<br>Screw size: 1/2"  |       |
| 87990304 | Dosing pipe fittings for CTRL20   | The maximum resistance at: 60°C  |       |
| 87990305 | Fixing Accessories                | Vertical base and wall-mounting accessories  |       |

## Installation Diagram



| Code        | Model      | Pressure (bar) | Max Flow/Hour (l/h) | Stroke Capacity (cc/stroke) | Connection Size In& Outlet (mm) | Frequency Max (stroke/min) | Power Consumption (Watts) |
|-------------|------------|----------------|---------------------|-----------------------------|---------------------------------|----------------------------|---------------------------|
| 20900510020 | CTRL4-PH   | 12             | 4                   | 0.42                        | 4 / 6                           | 160                        | 20                        |
| 20900510030 | CTRL4-ORP  | 8              | 6                   | 0.63                        |                                 |                            |                           |
| 20900510040 | CTRL7-PH   | 12             | 7                   | 0.36                        |                                 | 320                        | 40                        |
| 20900510050 | CTRL7-ORP  | 5              | 15                  | 0.78                        |                                 |                            |                           |
| 20900510060 | CTRL20-PH  | 5              | 20                  | 1.11                        | 8 / 12                          | 300                        | 40                        |
| 20900510070 | CTRL20-ORP | 2              | 38                  | 2.11                        |                                 |                            |                           |

# DISINFECTION SYSTEMS



## “EMAUX” CTRL Series Spare Part Accessories

| Code        | Model                                  | Parameter  |
|-------------|--|--|
| 20910510005 | pH Probe                               | Pressures : 7 bars Material : Epoxy Resin<br>Measure Range : 0 – 14 (with 6 meters signal line)<br>Electrode Diameter : 12 mm (Include probe holder) |
| 20910510010 | ORP Probe                              | Pressures : 7 bars Material : Epoxy Resin<br>Measure Range : 1200mV (with 6 meters signal line)<br>Electrode Diameter : 12 mm (Include probe holder) |
| Code        | Model                                  | Parameter  |
| 24001610115 | pH Probe Buffer Solution               | 2 bottles of buffer solution of pH (pH4.00 and pH 7.00) + 1 bottle of buffering  |
| Code        | Model                                  | Parameter  |
| 20910510015 | ORP Probe Buffer Solution              | 1 bottle of ORP buffer solution (465mV) for 50 ml bottle   |
| Code        | Model                                  | Parameter  |
| 20910510020 | Dosing Pipe Fittings for CTRL4 / CTRL7 | Pressures : 7 bars<br>Material : PVC   |
| 20910510025 | Dosing Pipe Fittings for CTRL20        | Screw Size : 1/2”<br>The maximum resistance at: 60C  |
| Code        | Model                                  | Parameter  |
| 20910510030 | Fixed Accessories                      | Vertical base and wall-mounted accessories   |



## Feeder Accessories

| Code        | Model                    | Product               | Description           |
|-------------|--------------------------|-----------------------|-----------------------|
| 21033000005 | PZD-300-VTCF-HW          | Chemical Feeder Pumps | 5– 21 Liters / Hour   |
| 21033000010 | PZD-500-VTCF-HW          |                       | 27 – 32 Liters / Hour |
| 21033000015 | 0.18 kW / 900 RPM / 3PH  | Chemical Stirrers     | For Tank 200 liters   |
| 21033000020 | 0.37 kW / 1400 RPM / 1PH |                       | For Tank 500 liters   |
| 21033000060 | 0.37 kW / 900 RPM / 3PH  |                       | For Tank 500 liters   |
| 21033000065 | 0.37 kW / 300 RPM / 3PH  |                       | For Tank 1000 liters  |
| 21033000030 | PE-T-100                 | P.E. Tanks            | 100 Liters            |
| 21033000035 | PE-T-200                 |                       | 200 Liters            |
| 21033000045 | PE-T-500                 |                       | 500 Liters            |
| 21033000055 | PE-T-1000                |                       | 1,000 Liters          |