

PUMPS



“EMAUX” EPV Series Variable Speed Pumps Complete Set With Unions

ROBUST AND RELIABLE LATEST HYDRAULIC DESIGN

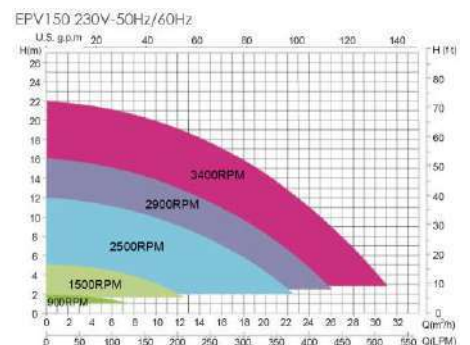
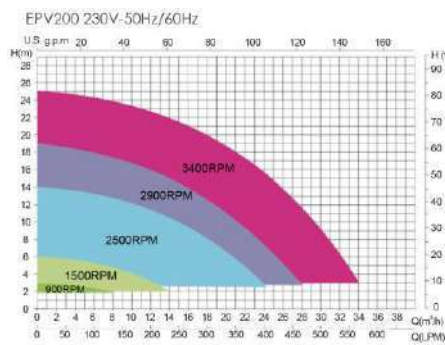
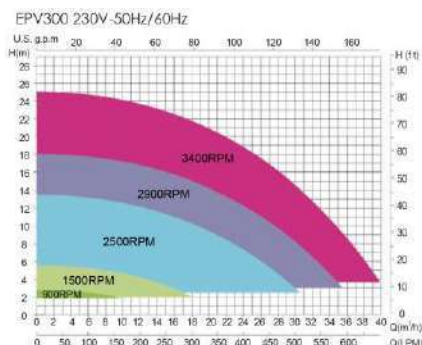
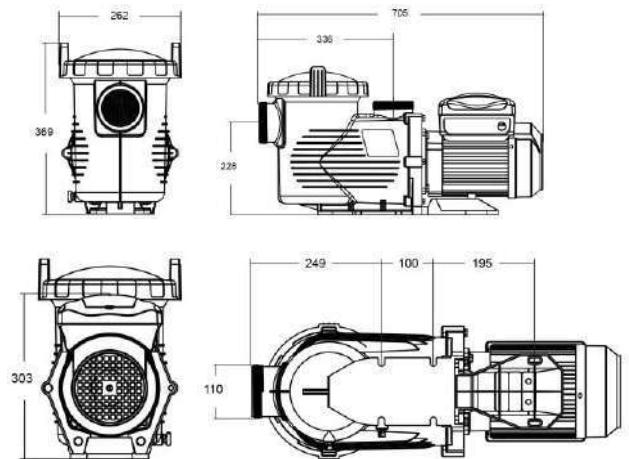
Traditional single speed pump runs at maximum load continuously, inefficient and high running cost compared to the EMAUX EPV range. Reduced speed provides slower water circulation rates puts less strain on the complete installation such as filter, sanitization and plumbing. It reduces the wear and tear factor ending in saving to the home owner.

FEATURES

- Energy Saving Pump, the power consumption of the pump is reduced 85%
- Advanced hydraulic design, water moves much more efficiently and the operation is whisper quite with the E-Power Variable speed pump operating at lower speeds
- One touch Controller
- Permanent Magnet Motor (PMM)
- Totally Enclosed Fan Cooled (TEFC)
- 5L Strainer Basket
- S.S. 316 Shaft
- S.S. 316 Mechanical Seal
- 2" / 2.5" Union Connection
- IPX5 Waterproof Standard
- Product Testing : 30,000 times cycling testing on high head in 50C water



- Super Quiet Operation
- Energy Saving
- User – Friendly Controller





Model	In/Outlet (inches)	Flowrate (m3/h)				Head (m)			
		900rpm	1500rpm	2500rpm	2900rpm	900	1500	2500	2900
		(at 1m head)	(at 3m head)	(at 8m head)	(at 11m head)	rpm	rpm	rpm	rpm
EPV150	2/2.5	7.5m3 /hr	11m3 / hr	15m3 / hr	18m3 / hr	2m	5m	12m	16m

Model	In/Outlet (inches)	Flowrate (m3/h)				Head (m)			
		900rpm	1500rpm	2500rpm	2900rpm	900	1500	2500	2900
		(at 2m head)	(at 4m head)	(at 10m head)	(at 12m head)	rpm	rpm	rpm	rpm
EPV200	2/2.5	8m3 / hr	11m3 / hr	15m3 / hr	20m3 / hr	3m	6m	14m	19m
EPV300	2/2.5	9.5m3 / hr	13m3 / hr	20m3 / hr	25m3 / hr	3m	6m	14m	20m

Code	Model	H.P.	Voltage	Phase	Noise (dB)	Weight (kg)
20700510250	EPV150	1.5	220	1	52	23
20700510255	EPV200	2.0	220	1	53	24
20700510260	EPV300	3.0	220	1	54	25



MODBUS

1. RTU over RS-485
2. Support all standard Modbus protocol equipment
3. Isolated AB data bus
4. Max Baud Rate 9600bps



WI-FI CONNECTIVITY

1. IEEE802.11, 2.4GHz, b/g/n
2. Internal antenna, open area 25m
3. Data throughput 300Mbps

Code	Model	H.P.	Voltage	Phase
20700510470	EPV150-WIFI + RS485	1.5	220	1
20700510475	EPV200-WIFI + RS485	2.0	220	1
20700510480	EPV300-WIFI + RS485	3.0	220	1