



“EMAUX” FOS Series UV-C Systems For Fish Pond

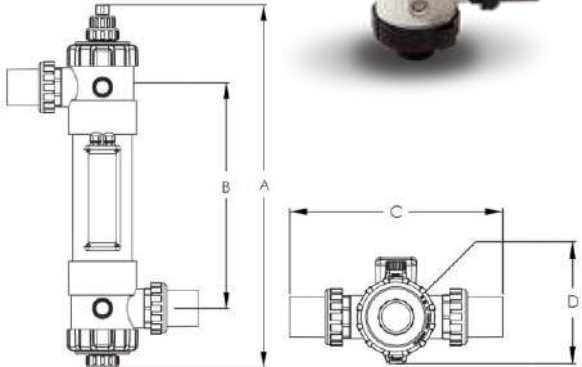
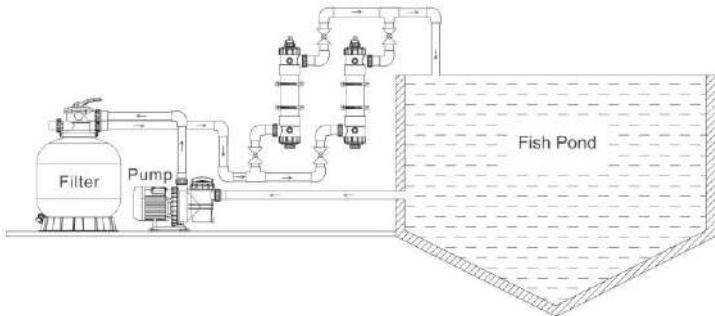
Achieve up to 98% Sterilization rate
Specialized for fish ponds and aquaculture

CONTROL FISH POND INFECTION AND DISEASES

FOS series UV-C disinfection system is an effective product to kill bacteria and other microbes that pass through from the tube as a result to maintain bacteria-free and purified water in your fish pond

- High quality UV-C lamp that achieve 98% Sterilization Rate
- Durable UV-C lamp has Long Life Span, more than 10,000 hours.
- High quality Quarts tube provides more than 99% Transmittance Rate
- Adjustable brackets for simpler and flexible installation
- Suitable for fish pond sized up to 14m³
- UV for fish pond – UV lamp 5W / 1 m³ of water

TYPICAL INSTALLATION



Product Dimensions

Model	A (mm)	B (mm)	C (mm)	D (mm)
FOS-UV-5T	694	431	180	166
FOS-UV-7T	694	431	180	166
FOS-UV-8T	1144	881	180	166
FOS-UV-14T	1144	881	180	166

Code	Model	Flowrate (m ³ /h)	Volume of Water (m ³)	Input Power (W)	Connection (Inches)
21000510005	FOS-UV-5T	14.4	5	15	1.5” / 2”
21000510010	FOS-UV-7T	14.4	7	25	1.5” / 2”
21000510015	FOS-UV-8T	14.4	8	30	1.5” / 2”
21000510020	FOS-UV-14T	14.4	14	55	1.5” / 2”