

FILTERS



“EMAUX” LF Series Biological Filters For Koi Fish System Complete Set with Multiport Valve & Filter Media

Tank Material

Bobbin-wound reinforced fiberglass tank

Max Operating Pressure

36psi (2.5bar)

Max Temperature

43°C (109°F)

ABOUT BIOLOGICAL FILTRATION

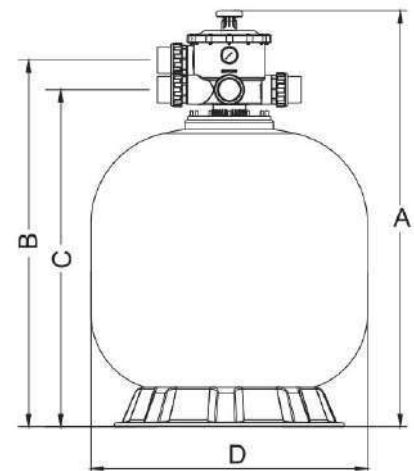
Biological filtration takes place when the beneficial bacterial breed inside the special filtration media in the tank. These bacteria efficiently convert the ammonia to nitrites, and then to less harmful nitrates.



Biological System at fish pond

ABOUT PHYSICAL FILTRATION

When water passes through the filter tank, large particles are trapped by the biological filter media. The small particles are also blocked by the linked biological filter media. After certain period of time, those particles accumulate and the pressure inside the tank increases. The particles can be cleared and the pressure released by backwashing the tank.



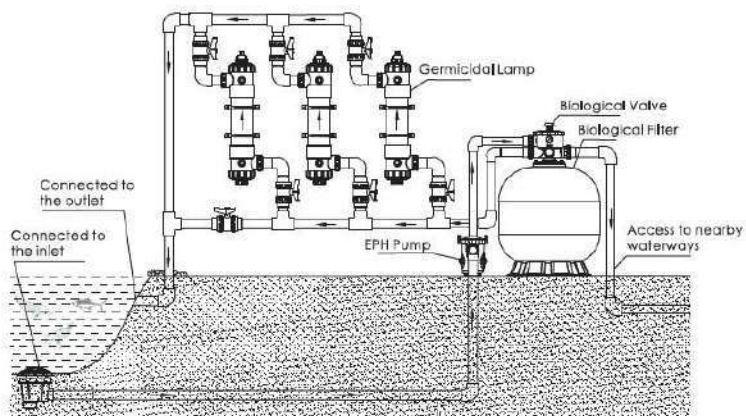
Model	A mm	B mm	C mm	D mm
LF700	1126	1030	933	723
LF800	1234	1155	1058	800
LF900	1334	1242	1145	900



Emaux Biological Media



Installation Diagram



For 1 m³ of water, it will be better that to farm 1.5 KG of fish. This is a general formula for Koi fish.



EXCLUSIVE FILTRATION AND BACKWASH RESULT

Biological Filtration System is environmentally friendly with good filtration and backwash performance. It solves the traditional problems of sand agglomeration in the tank. Designed not only with a modern appearance, but it also significantly reduces the size of the filtration system compared to traditional installations.

Code	Model	MV (inches)	MPV Model)	Flowrate (m ³ /h)	Volume of water (m ³)	Recommended Pump (If head loss is less than 14 meters)	Included Biological Media (kg)
20350510020	LF-700	2.5	MPV17	14	30	SB10 or SB20	30
20350510025	LF-800	2.5	MPV17	18	40	EPH200	45
20350510030	LF-900	2.5	MPV17	21	50	EPH300	60

* ราคารวมสารกรอง / Included Filter Media