

DISINFECTION SYSTEMS



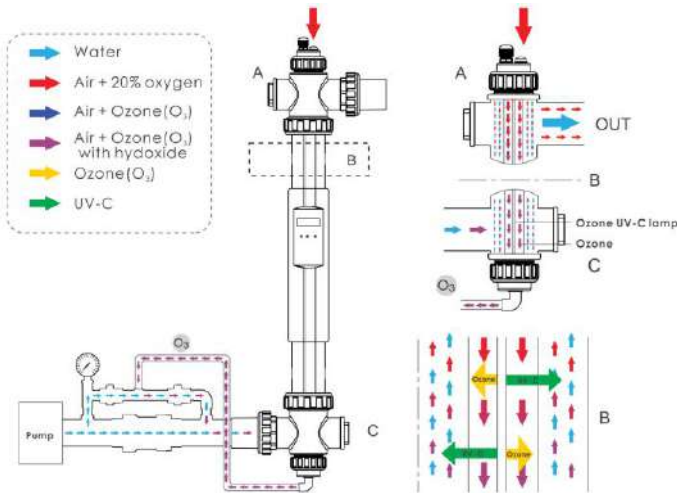
“EMAUX” NT-UV87-TO Series Nano Tech UV-C Systems With Ozone Version

Nano Tech UV-C Ozone

Emaux Nano Tech UV-C Ozone combines the ozone and UV-C technology which ensure fresh and healthy pool water with the minimum use of chlorine

ADVANTAGE OF THE NANO TECH UV-C OZONE

- Built-in electronics pre-selector to ensure a smooth power supply
- Up to 35% more UV-C yield as a result of reflection
- Reduces the chlorine consumption up to 95%
- Ozone UV-C lamp last for 9,000 hours
- Integrated adjustable time meter for the UV-C lamp
- Digital indication with the lamp needs replacing



UV-C OZONE OPERATION

The water is pumped into the unit through the reactor. Air is sucked through the venturi system into the unit via the air injector and flows through the quartz glass and the ozone UV-C lamp. The air enters the lamp and loaded with ozone particles, the pass the ball valve and the mixed with the water in the reactor

for Ozone, "T" stands for Timer

Model	Max Flow Rate (m ³ /h)	Pool Vol (m ³)	Input Power	Maximum Pressure	Cell Connections	Electric Ballast	Max Current (A)	UV Lamp lifetime (hr.)
NT-UV87-TO	25	90	87W	3 bar	1.5"/50mm or 2"/63mm	240V AC 50-60Hz	0.5	9000

Code	Model	Flowrate (m ³ /h)	Volume of Water (m ³)	Input Power (W)	Connection (Inches)
21000510040	NT-UV87-TO	25	90	87	2"