

# DISINFECTION SYSTEMS



## “EMAUX” SSC-mini Series Residential Salt Chlorinator

### SIMPLY RELIABLE

New Salt Chlorinator engineered for residential pools up to 90,000 liters

The new SSCmini salt chlorinator incorporates the latest technology, and intuitive interface and robust components to create the most reliable, user friendly and maintenance free chlorinator with the best value for money in the market.

### ADVANTAGE

- User friendly: Easy operations with few buttons
- Clear indications and alerts: End cell lifetime, No flow, General problems alarm
- Easy installation: Minimum piping modifications for existing installations.
- Cell wiring already fixed in the cell the avoid connection trouble
- Long cell lifetime and economic spare part available
- Less handling of chemicals and better quality of water

### THE CELL

The cell is composed by:

- Titanium plates for a maximum chlorine production of 25 gram/hour
- Self-cleaning reverse polarity
- Flow switch
- Temperature sensor
- Translucent casing with two different connections: 50 mm / 1 1/2" or 63 mm / 2"
- Maximum working pressure: 2.5 bar
- Perfect suited for magnesium salted pools



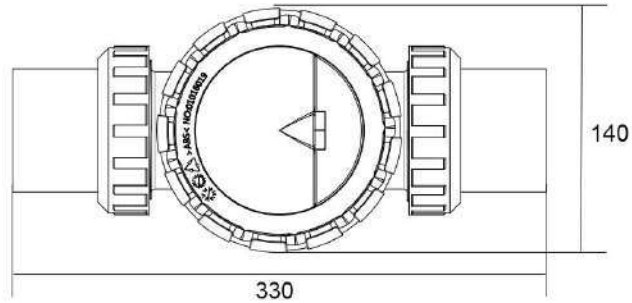
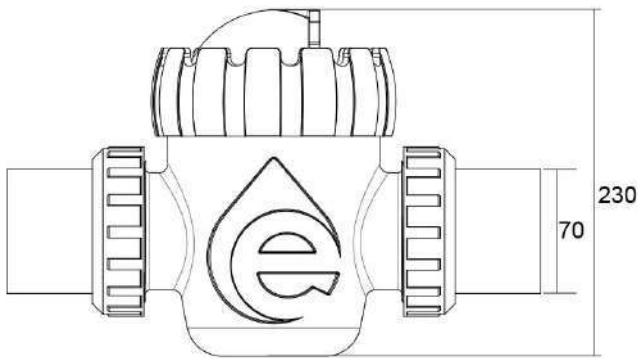
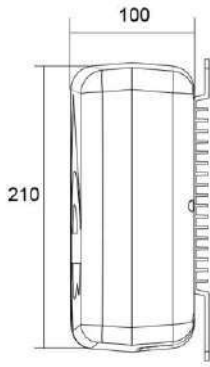
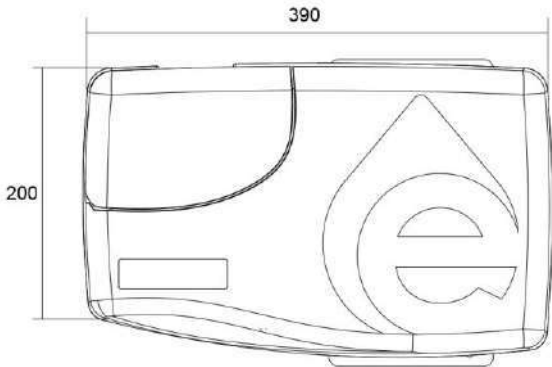
### CONTROL PANEL

Intuitive control panel allows you to control:

- The time production
- Super-chlorinator It also indicates:
- End of the expected cell life
- No flow
- Chlorine generation
- Stand-by model
- General problem alarm



# DISINFECTION SYSTEMS



Model	Input Voltage/ Frequency	Salt Level	Cell Output	Maximum Pool Size	Cell Connections
SSCmini	220-240V / 50-60Hz	3000ppm	20gr/hr	90,000 Liters	1.5" / 50mm or 2" / 63mm

Standard Range of Salt Level in the Pool : 3500 – 4000 ppm

Commissioning Pool : Salt quantity is 3.5 - 4 Kg/m<sup>3</sup>

Maintenance Pool to maintain CL level at 1.5-2 ppm: Salt quantity is 3.5 – 4 Kg/m<sup>3</sup>

Code	Model	Water Capacity (m <sup>3</sup> )	Gram/Hour	Power Consumption (Watts)
20900510095	SSC-mini	90	20	150