

PUMPS



“ESPA” Silen S Series Complete Set With Unions Made In Spain

APPLICATIONS

- Recirculation and filtering of water of medium pools
- Silent
- Self-priming up to 4m.

MATERIALS

- Pump body, foot, impeller, seal mounting, diffuser, suction and discharge in techno polymer
- Pump shaft in AISI 431.
- ESPA mechanical seal
- Motor casing in aluminum
- O-ring in NBR.

MOTOR

- Asynchronous, 2 poles
- IP55 protection
- Class F insulation
- Thermal protection
- Continuous operation

LIMITATIONS

- Maximum water temperature 40°C

EQUIPMENT

- No cable, no plug
- Imperial unions included 1.5”



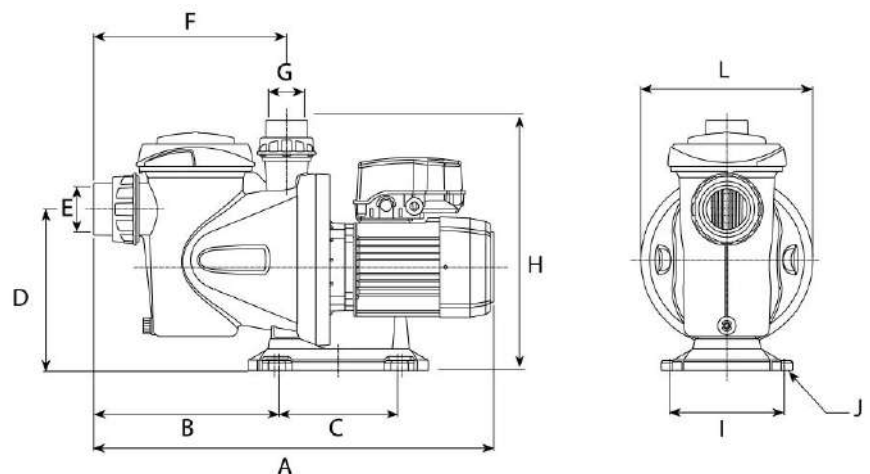
Ultra-silent



Improved hydraulics



Self-priming up to 4m

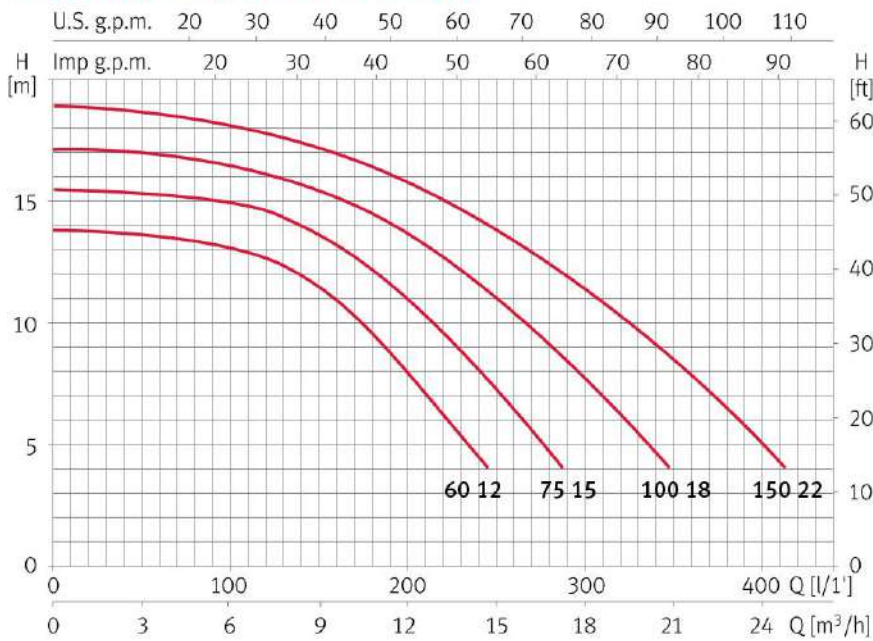


Dimension and weight

Model	A	B	C	D	E	F	G	H	I	J	L	Kg
Silen S 60	555	257	164	225	50	267	50	347	159	Ø9	238	8,9
Silen S 75	555	257	164	225	50	267	50	347	159	Ø9	238	10,2
Silen S 100	555	257	164	225	50	267	50	347	159	Ø9	238	10,9
Silen S 150	577	257	164	225	50	267	50	347	159	Ø9	238	13,5



Performance curve at 2900 rpm



Hydraulic performance table

Model	I [A]			P1 [kW]		P2		c [µF]	l/min m³/h	40	80	120	160	215	265	325	400	Code	
	1~230V	3~230V	3~400V	1~	3~	[kW]	[HP]			m³/h	2,4	4,8	7,2	9,6	12,9	15,9	19,5	24	1~230V
Silen S 60 12	3,7	2,4	1,4	0,8	0,8	0,44	0,6	16	mwc	13,6	13,2	12,6	10,9	6,7	-	-	-	203147	203151
Silen S 75 15	5,5	3,3	1,9	1,2	1	0,55	0,75	16		15,2	15	14,5	13,1	9,9	6	-	-	203148	203152
Silen S 100 18	6	3,8	2,2	1,4	1,2	0,75	1	16		16,9	16,5	16	15	12,9	10	5,9	-	203149	203153
Silen S 150 22	7,1	4,8	2,8	1,6	1,6	1,1	1,5	25		18,6	18,2	17,7	16,9	15,1	13	10	5,1	203150	203154

Code	Model	In/Outlet (inches)	Flowrate (gpm)	Flowrate (m³/h)	Head (m)	Amp	H.P.	Voltage	Phase
20700530020	Silen S 60 (12M)	In 2 Out 1.5	46.2	10.5	10	2.0	0.6	220	1
20700530140	Silen S 60 (12)	In 2 Out 1.5	46.2	10.5	10	1.17	0.6	380	3
20700530025	Silen S 75 (15M)	In 2 Out 1.5	57.2	13	10	2.54	0.75	220	1
20700530160	Silen S 75 (15)	In 2 Out 1.5	57.2	13	10	1.47	0.75	380	3
20700530030	Silen S 100 (18M)	In 2 Out 1.5	70.4	16	10	3.39	1.0	220	1
20700530170	Silen S 100 (18)	In 2 Out 1.5	70.4	16	10	1.96	1.0	380	3
20700530035	Silen S 150 (22M)	In 2 Out 1.5	88	20	10	5.0	1.5	220	1
20700530155	Silen S 150 (22)	In 2 Out 1.5	88	20	10	2.8	1.5	380	3