



PUMPS

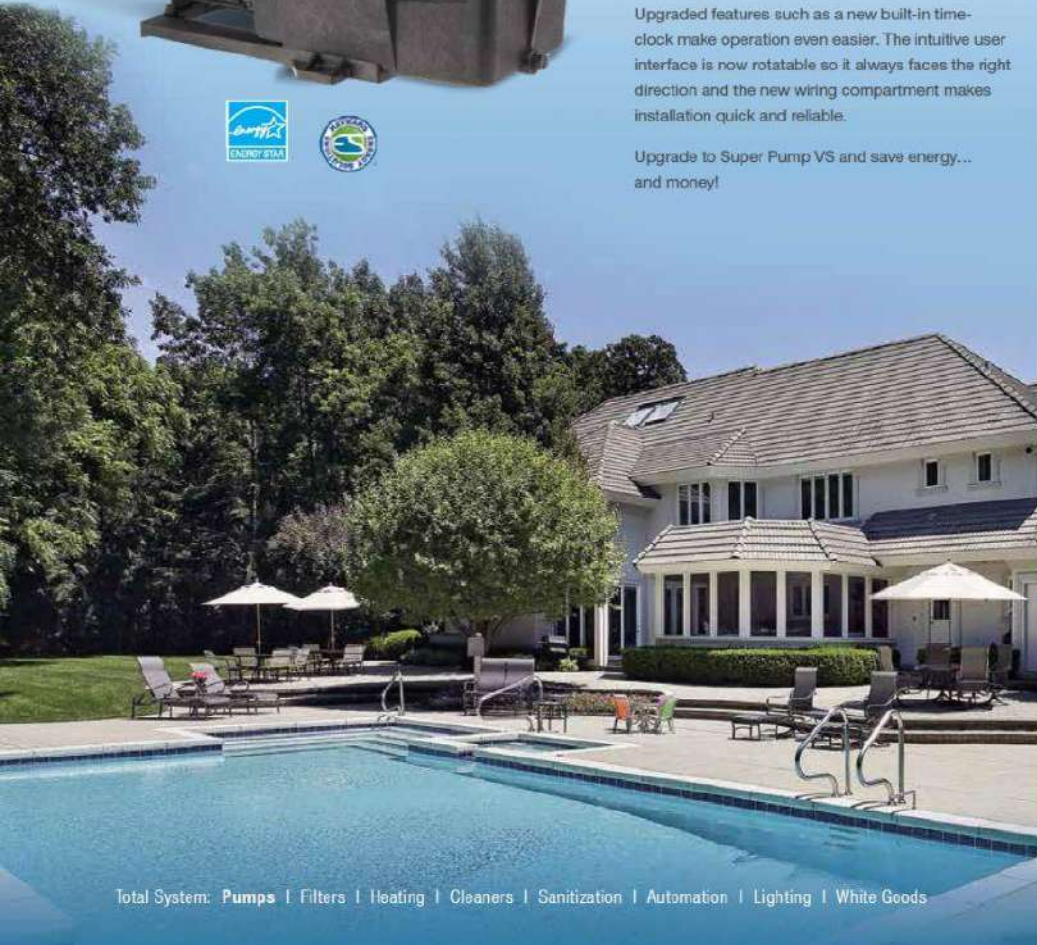
## Super Pump® VS VARIABLE-SPEED PUMP SERIES

### Energy Savings You Control

Hayward's best selling Super Pump is now even better! The new variable-speed Super Pump VS takes efficiency to the next level with up to 80% energy cost savings over traditional single-speed pumps.

Upgraded features such as a new built-in time-clock make operation even easier. The intuitive user interface is now rotatable so it always faces the right direction and the new wiring compartment makes installation quick and reliable.

Upgrade to Super Pump VS and save energy... and money!



Total System: Pumps | Filters | Heating | Cleaners | Sanitization | Automation | Lighting | White Goods



The digital interface shows power consumption for immediate feedback to maximize energy savings.

2-way rotatable interface that's always easy to read and operate.

New wiring compartment for quick and reliable installations

Advanced Motor Design Permanent magnet, totally-enclosed fan cooled (TEFC) design provides incredible energy efficiency and reliability.



Integrated, Programmable Interface Customize speed, start/stop times, and priming time while monitoring power consumption.

Exclusive, Swing-Away Hand Knobs Allow easy strainer cover removal without tools.

110 Cubic-inch Basket Extra leaf-holding capacity.

See-Through Strainer Cover Easy to see when the basket requires cleaning.

Self-Priming Capability Suction lift up to 10' above water level.

Incredibly quiet operation, especially at energy-saving, lower speeds.

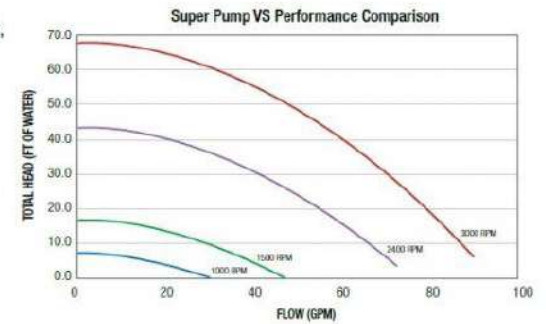
## Super Pump® VS

Variable-speed pumps are the ultimate way to save energy while enjoying your pool. Most other variable-speed models, however, are oversized when compared to medium-head pumps such as Hayward®'s Super Pump. The all-new Super Pump VS is right-sized, particularly for applications with 1.5" plumbing, providing tremendous energy savings that result in an even faster return on your investment.

The new intuitive time-clock makes programming even easier. The 2-way rotatable user interface is always easy to read & operate and the new wiring compartment for quick and reliable installations.

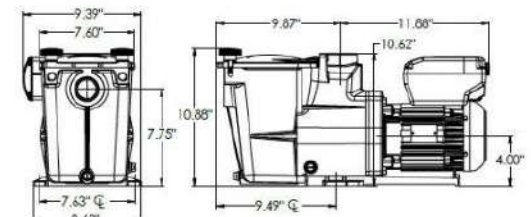
Super Pump VS provides customizable speed, start/stop times, and priming time to match the needs of both aftermarket and new construction installations. Advanced permanent magnet and totally enclosed fan cooled (TEFC) motor technologies provide incredible energy efficiency and reliability.

Upgrade and save with Super Pump VS!



### SUPER PUMP VS PUMP BUYING GUIDE

MODEL NUMBER	SP2602VSP
TOTAL HP	1.50
MOTOR DESIGN	PERMANENT MAGNET, TOTALLY-ENCLOSED
SPEED RANGE	600 - 3000 RPM
VOLTAGE	230V SINGLE PHASE
PORT SIZE	1 1/2"



Hayward, Hayward Energy Solutions and Super Pump are registered trademarks of Hayward Industries, Inc. © 2014 Hayward Industries, Inc.

All other trademarks not owned by Hayward are the property of their respective owners. Hayward is not in any way affiliated with or endorsed by these third parties.

To take a closer look at Super Pump VS or other Hayward® products, go to [hayward.com](http://hayward.com) or call 1-888-HAYWARD.

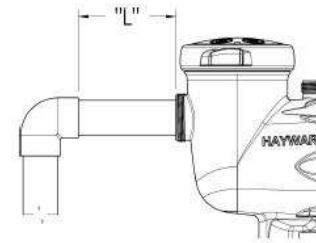


Super Pump VS Pumps are listed by



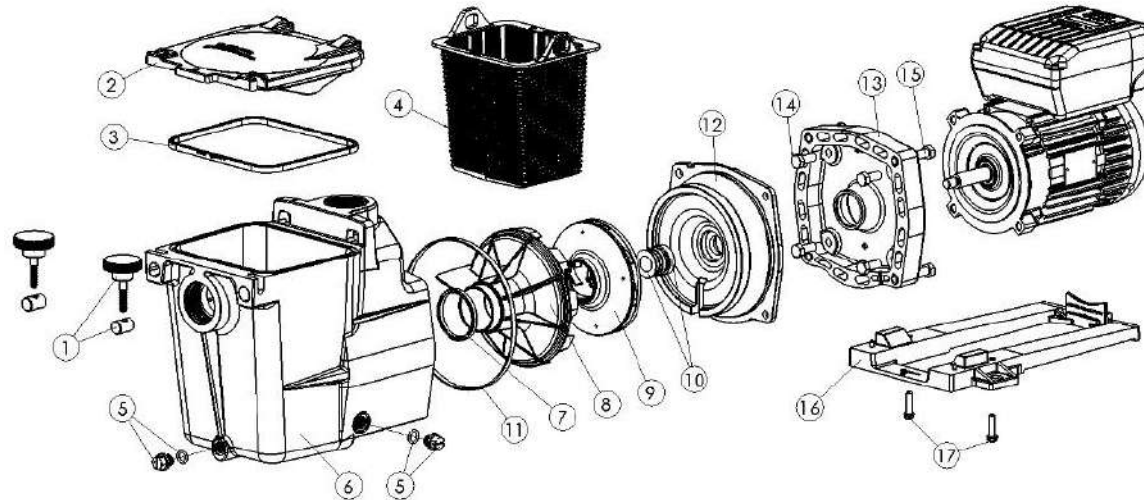
## Pipe Sizing Chart

MAXIMUM RECOMMENDED SYSTEM FLOW RATE BY PIPE SIZE		
Pipe Size in. [mm]	Maximum Flow Rate GPM [LPM]	Minimum Straight Pipe Length "L" in. [mm] *
1 1/2" [50]	45 [170]	7 1/2" [190]
2" [63]	80 [300]	10" [254]
2 1/2" [75]	110 [415]	12 1/2" [317]
3" [90]	160 [600]	15" [381]



## Parts Diagram

Figure 10.1-1



Ref. No.	Part No.	Description	Qty.
1	SPX1600PN	Swivel Nut & Hand Knob	2
2	SPX1600D	Strainer Cover	1
3	SPX1600S	Strainer Cover Gasket	1
4	SPX1600M	Basket	1
5	SPX1700FG	Drain Plug With Gasket	2
6	SPX1600AA	Pump/Strainer Housing With Gasket	1
7	SPX1600R	Diffuser Gasket	1
8	SPX1616B	Diffuser	1
9	SPX1621C	Impeller	1
10	SPX1600Z2	Shaft Seal Assembly	1
11	SPX1600T	Housing Gasket	1
12	SPX1611E5	Seal Plate	1