

JESTA

value for money



Top Mount
Fibreglass Sand Filter



TOP MOUNT FIBREGLASS SAND FILTERS

Fiberglass Sand Filter are constructed by the most update engineering technology. The improvement of flow ability provides an extra pure water filtration. The winding design allows the filter becoming more solid , chemical corrosion-resistant and UV resistance.

Fiberglass Sand Filter are the most recommendable equipment for the application of Swimming pool and Sauna centers.

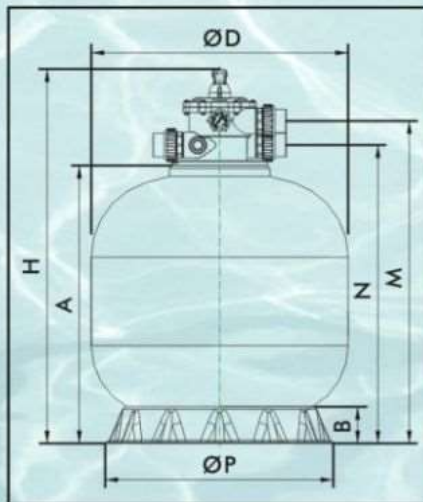


FILTRATION BED HEIGHT 0.6 m

Maximum temperature: 50°C(122°F)

Maximum working pressure: 2.5kg/cm²

Diameter	Outlet Ø	Flow	Model	Standard Packaging	Body Standard Volume m ³	Body Standard Weight kg	Valve Standard Volume m ³	Valve Standard Weight kg
mm	mm	m ³ /h						
400	40	6.30	KP400	2	0.09	10	0.02	3
450	40	7.98	KP450	2	0.13	13	0.02	3
500	40	11.52	KP500	2	0.17	15	0.02	3
650	40	16.20	KP650	2	0.30	20	0.02	3
700	40	20.40	KP700	2	0.41	27	0.02	3
800	50	25.20	KP800	2	0.66	40	0.03	5
900	50	30	KP900	2	0.93	47	0.03	5
1,000	50	33	KP1000	2	1.27	58	0.03	5
1,100	50	37.80	KP1100	2	1.94	64	0.03	5
1,200	50	45.20	KP1200	2	2.24	68	0.03	5
1,400	50	61.20	KP1400	2	3.46	110	0.03	5



ØD	mm	400	450	500	650	700	800	900	1,000	1,100	1,200	1,400
H	mm	720	790	830	950	1,010	1,220	1,340	1,400	1,500	1,600	1,830
B	mm	75	75	75	85	95	150	150	150	190	190	190
A	mm	482	552	592	712	772	985	1,057	1,097	1,197	1,297	1,547
ØP	mm	390	390	390	565	565	690	790	830	960	960	1,240
N	mm	535	605	645	765	825	1,030	1,101	1,163	1,263	1,363	1,613
M	mm	594	664	704	824	884	1,097	1,182	1,242	1,342	1,442	1,692
Filtration area	m ²	0.11	0.14	0.20	0.30	0.37	0.50	0.64	0.79	0.98	1.13	1.53
Pool approx.	m ²	4-5	4-6	4-6	6-8	6-8	8-10	8-10	10-12	10-12	12-15	15-20
Sand 0.4-0.8 mm	kg	28	50	80	160	220	370	447	700	960	1,200	1,700