

# W1 TRUE UNION BALL VALVE

## ADVANTAGES:

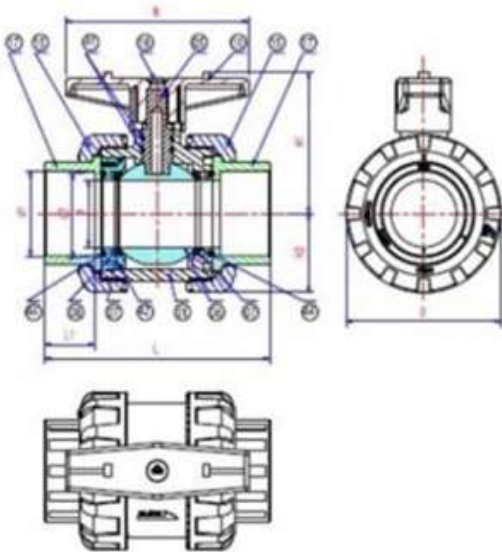
- 1) Materials meet drinking water standard
- 2) Smooth opening & closing thanks to a lower torque
- 3) 100% pure virgin material, CaCO3 free (Chalk)
- 4) UV resistant powder added
- 5) 100% pressure testing before leaving the factory

## DESCRIPTION:

- 1) Material: PVC
- 2) Size: 1-1/2" - 2"; 50mm - 63mm;
- 3) Standard: ANSI, DIN, JIS
- 4) Operating Temperature: PVC(0-55°C);
- 5) Handle color : red, blue, green, orange  
Valve body color : PVC(dark gray)



## SPECIFICATIONS:



ITEM	PART	MATERIAL	QTY
01	BODY	PVC	1
05	STEM	PVC	1
06	BALL	PVC	1
07	SEAT	TPV / PTFE	2
08	SEAL CARRIER	PVC	1
10	HANDLE	ABS	1
15	UNION NUT	PVC	2
17	UNION END	PVC	2
18	CLEAR CAP	ABS	1
41	ORING	EPCOM	2
42	ORING	EPCOM	1
44	ORING	EPCOM	2

UNIT: MM

SIZE	d	d1				d2				D	L	L1	W	H1	H2	F	operating torque (N·M)
		ANSI	DIN	JIS	CNS	ANSI	DIN	JIS	CNS								
1-1/2"(40)	40	48.56	50.30	48.70	48.60	48.11	50.10	47.74	47.90	98.00	161.00	35.00	128.00	90.00	49.00	52.00	7.5
2"(50)	50	60.63	63.30	60.80	60.60	60.17	63.10	59.78	59.90	118.00	171.00	38.00	140.00	106.00	59.00	70.00	10