



“SPECK PUMPS” BADU Jet Stella Series

Swim Against The Current Systems

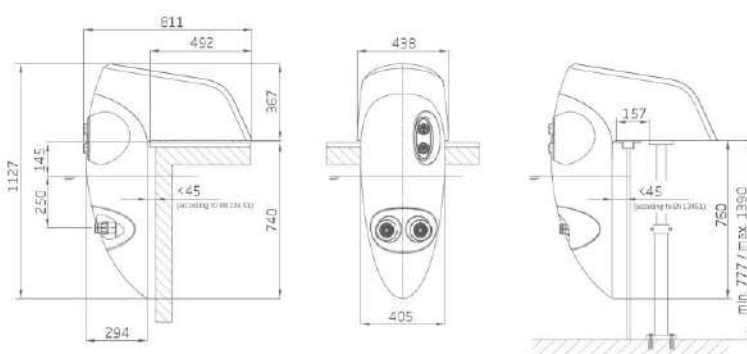
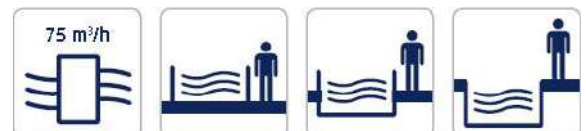
Made In Germany

The most powerful under the BADU Jet overhang counter swim units. Furthermore even sports-mad pool owners get their money worth. With two adjustable flow and direction control nozzles and integrated LED lighting in which or multicolor, ensures a pleasant ambience, additional accessories are available as an option



TECHNICAL DATA AT 50HZ

Jet-pump	21-81/33G.
Flow rate of the pump	75m ³ /h
Voltage	3 N – 400/230V
Power input P1	3.80 kW
Power input P2	3.00 kW
Flow pressure at nozzle	1.00 bar
Flow velocity in center 2 m from nozzle	1.40 bar
Massage pressure max	1.60 bar
Number of nozzles diameter 40 mm	2
Omnidirectional swivel nozzle	60 degrees
Weight	54/60 kgs



Code	Model	Flow Rate of the Pump (m ³ /hr)	Qty Nozzle Jet	Type	Power	Description
21611930030	BADU JET Stella	75	2	Wall Hang	380V/3PH	Complete set with Pump & LED Light