

# DISINFECTION SYSTEMS



## “EMAUX” SSC-Nano Series Residential Salt Chlorinators



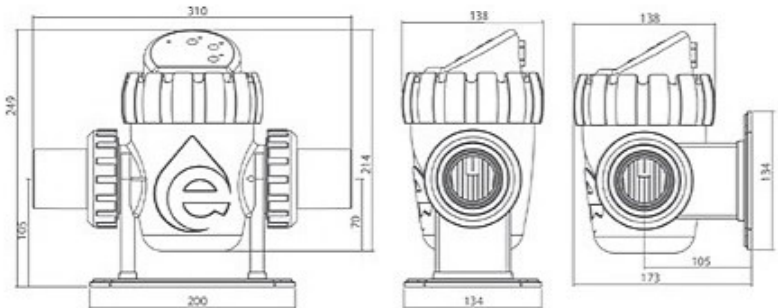
### ADVANTAGE

- ON/OFF operation
- Water flow switch
- Auto self cleaning reverse polarity
- Temperature sensor
- Long cell life



CE IPX4

### Accessories & Power Supply:



Code	Model	Input Voltage/ Frequency	Salt Level	Cell production rate	Maximum working pressure	Cell Connections	Working Temperature	Min. Flow	Max. Pool Volume
9130045	SSCnano4			4 g/hr		1.5" / 50mm			20 m <sup>3</sup>
9130046	SSCnano6	110 - 240 V	3500 ppm	6 g/hr	2.5 bar	and 32mm	10-45 °C	3 m <sup>3</sup> /hr	30 m <sup>3</sup>
9130047	SSCnano8	/ 50-60 Hz		8 g/hr		& 38mm			40 m <sup>3</sup>
9130048	SSCnano10			10 g/hr		union			50 m <sup>3</sup>

Standard Range of Salt Level in the Pool : 3500 ppm

Commissioning Pool : Salt quantity is 3.5 - 4 Kg/m<sup>3</sup>

Maintenance Pool to maintain CL level at 1.5-2 ppm: Salt quantity is 3.5 – 4 Kg/m<sup>3</sup>

Code	Model	Max. Pool Volume (m <sup>3</sup> )		Turnover Time 10 hr/day	Gram /Hour	Power Consumption (Watts)
		Turnover Time 6 hr/day	Turnover Time 8 hr/day			
20900510140	SSC-nano4	12	16	20	4	25
20900510145	SSC-nano6	18	24	30	6	30
20900510150	SSC-nano8	24	32	40	8	42
20900510155	SSC-nano10	30	40	50	10	48